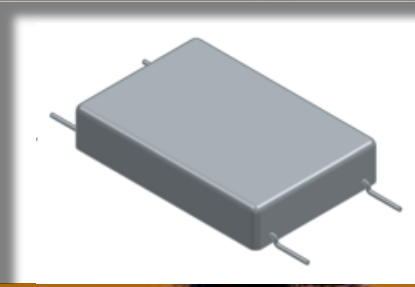


# BXFMTS-100M-BRAB – Crystal Filter



## FEATURES

- ✓ Extended operating range (-25° to 75°C)
- ✓ SMD Construction



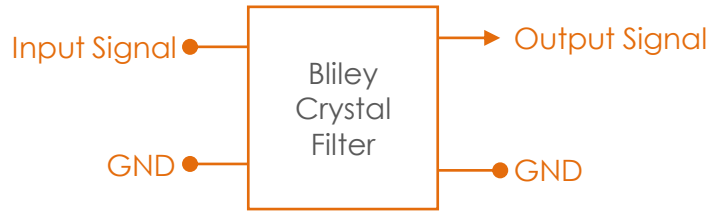
## Monolithic Crystal Filter

#blileytakesyoufurther

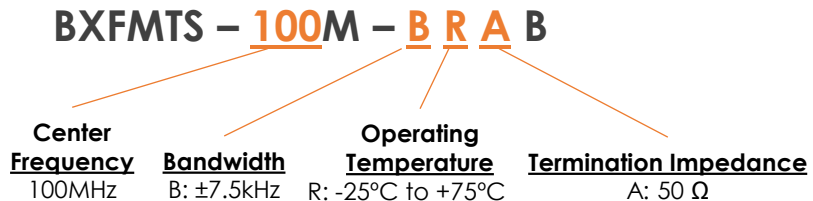
### Description

Bliley Crystal Filters are designed to perform reliably under demanding environmental conditions. Bliley rigorous Quality Control Standards provides the framework to provide consistent lot to lot product performance. Bliley Crystal Filters are utilized in applications consisting of: Avionics, Instrumentation, Military, SATCOM and DATACOM. Bliley can provide both discrete and monolithic topology solutions.

### Block Diagram



### Part Number Configuration



**DISCLAIMER:** All changes to the product(s) and or information contained herein are subject to Bliley Technologies' Product Change Notification process. No liability is assumed as a result of their use or application. No intellectual property rights accompany the sale or delivery of any such product(s) or information.

## Performance Specifications

Parameter	Conditions	Values			Unit
		MIN	TYP	MAX	
General		MIN	TYP	MAX	
Center Frequency	Fundamental		100		MHz
Bandwidth	@3dB	±7.5			KHz
Amplitude Ripple	Fo ± 30% BW			1.0	dB(p-p)
Insertion Loss	Fo ± 30% BW			3.0	dB
Stopband Width	@ - 15dB			±50	KHz
Stopband Width	@ - 25dB			±1000	KHz
Input Power	Operating	0	3	6	dBm
Input Power	None Destructive			10	dBm
Termination Impedance (Source and Load)	Zin = Zout	47.5	50	52.5	Ω
Moisture Level	MSL-1				

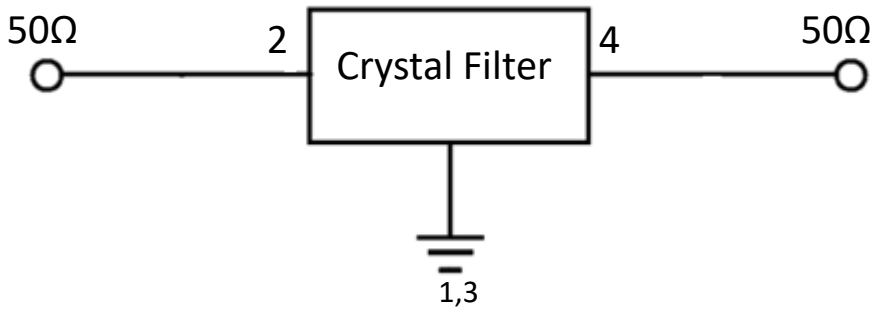
**\*\*Note:** Electrical parameters valid over entire temp range

**DISCLAIMER:** All changes to the product(s) and/or information contained herein are subject to Bliley Technologies' Product Change Notification process. No liability is assumed as a result of their use or application. No intellectual property rights accompany the sale or delivery of any such product(s) or information.

## Environmental Compliance

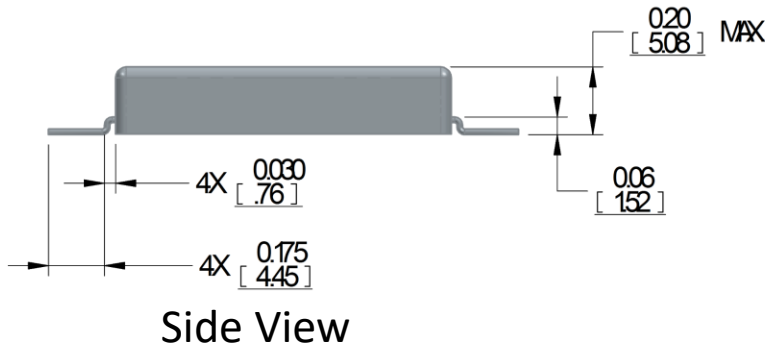
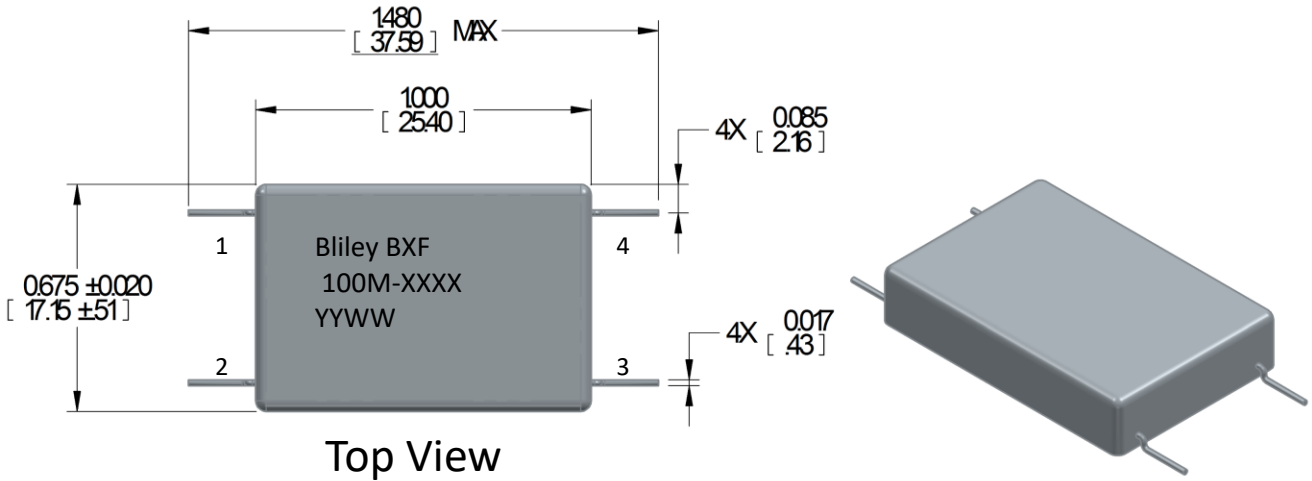
Parameter	Conditions	Values			Unit
		MIN	TYP	MAX	
Operating Temp Range		-25		+75	°C
Storage Temp Range		-40		+85	°C
Shock	MIL-STD-202, Method 213 Test Condition A				
Solderability	MIL-STD-202, Method 208				

## Measurement Circuit



**DISCLAIMER:** All changes to the product(s) and or information contained herein are subject to Bliley Technologies' Product Change Notification process. No liability is assumed as a result of their use or application. No intellectual property rights accompany the sale or delivery of any such product(s) or information.

# Physical Specifications



Pin Connections	
1	Ground
2	Input
3	Ground
4	Output

Notes:

**DISCLAIMER:** All changes to the product(s) and or information contained herein are subject to Bliley Technologies' Product Change Notification process. No liability is assumed as a result of their use or application. No intellectual property rights accompany the sale or delivery of any such product(s) or information.