

FEATURES

- ✓ Extended operating range (-20° to 70°C)
- ✓ Surface mount package
- ✓ ROHS Compliant

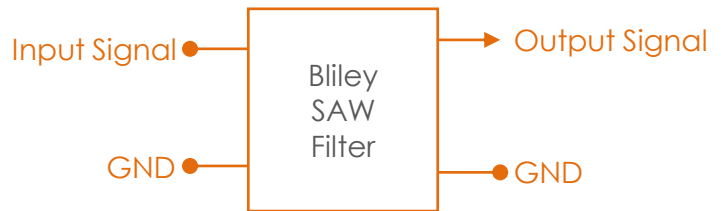
Surface Acoustical Wave Filter

#blileytakesyoufurther

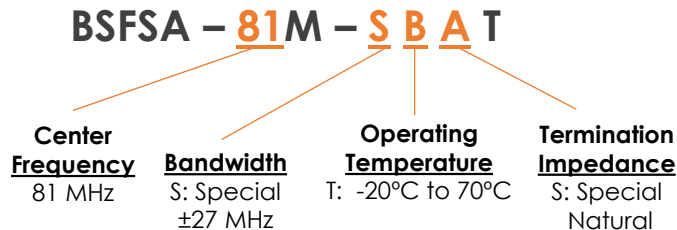
Description

Bliley Surface Acoustic Wave (SAW) filters use Inter-Digital Transducers (IDTs) which enable highly miniaturized filters that can be used for Radio Frequency (RF) signal processing. Bliley rigorous Quality Control Standards provides the framework to provide consistent lot to lot product performance. Bliley SAW Filters are utilized in applications consisting of: Avionics, Instrumentation, Military, SATCOM and DATACOM.

Block Diagram



Part Number Configuration



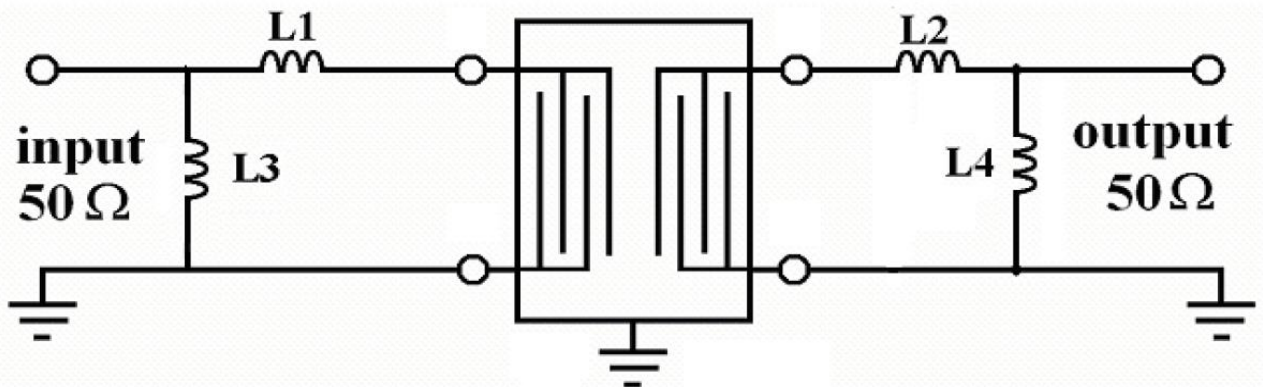
Performance Specifications

Parameter	Conditions	Values			Unit
		MIN	TYP	MAX	
General					
Center Frequency	Fundamental		81		MHz
Bandwidth	@3 dB	±27			MHz
Amplitude Variation	In Passband		1.0	3.0	dB p-p
Insertion Loss	In passband (± 30% of BW)		19.7	25	dB
Attenuation	42 MHz	10	46		dB
	114 MHz	10	40		dB
Input Power	Operational			10	dBm
System Impedance	Natural				Ω
Temperature Coefficient			-76		ppm/K
Moisture Sensitivity level	1				

Environmental Compliance

Parameter	Conditions	Values			Unit
		MIN	TYP	MAX	
Operating Temp Range		-20		+70	°C
Storage Temp Range		-40		+85	°C
Shock	MIL-STD-202 Method 213 Test Condition A				
Thermal Shock	MIL-STD-202 Method 107 Test Condition A-1				
Seal	MIL-STD-883 Method 1014.11 Test Conditions A2 & C1				

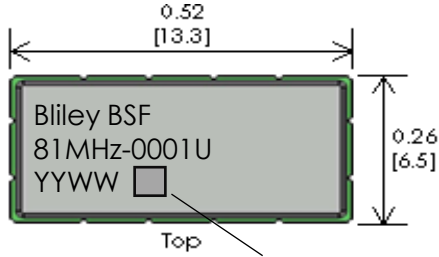
Measurement Circuit



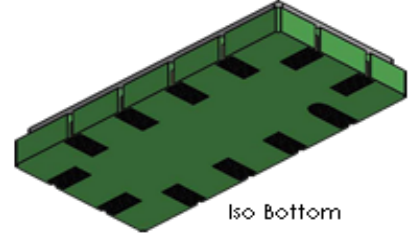
$$L1=27\text{nH}, L2=27\text{nH}, L3=180\text{nH}, L4=180\text{nH}$$

DISCLAIMER: Bliley Technologies, Inc. reserves the right to make changes to the product(s) and/or information contained herein without notice. No liability is assumed as a result of their use or application. No intellectual property rights accompany the sale or delivery of any such product(s) or information.

Physical Specifications



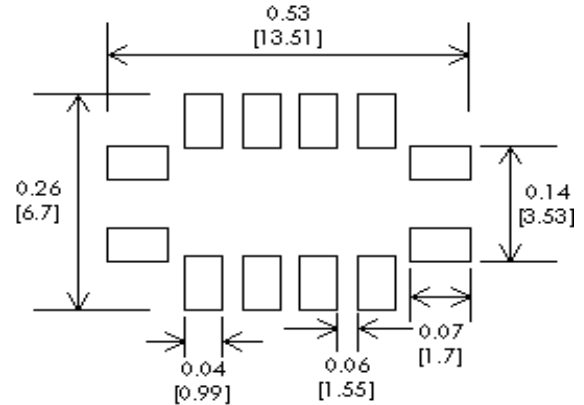
Traceability code



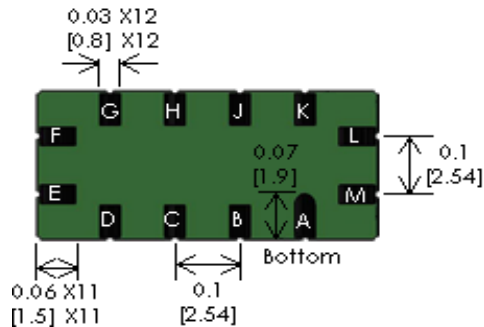
Iso Bottom



Side



Landing Pattern



Bottom

Pin Connections			
A	Ground	G	Ground
B	Ground	H	Ground
C	Ground	J	Ground
D	Ground	K	Ground
E	Output	L	Input
F	Output Ground	M	Input Ground

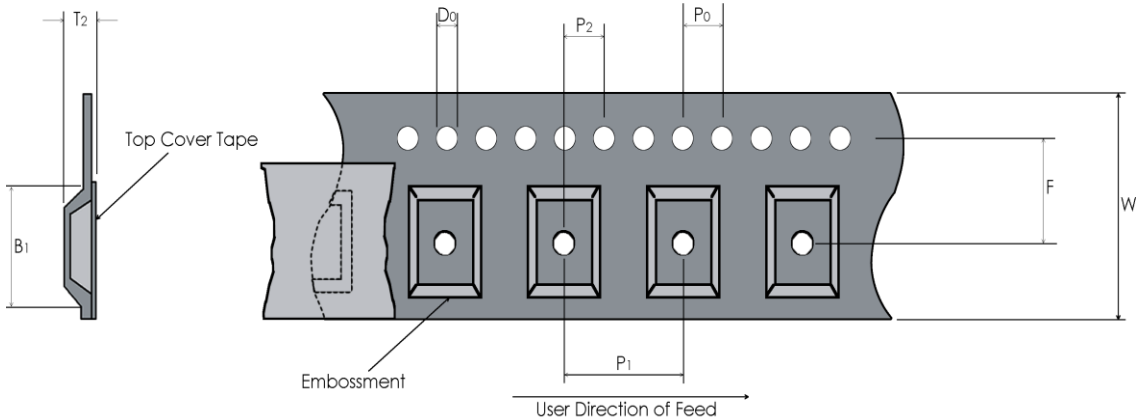
Tolerances (mm) .X = ± 0.15, .XX = ± 0.20 unless otherwise specified

Notes:

DISCLAIMER: Bliley Technologies, Inc. reserves the right to make changes to the product(s) and/or information contained herein without notice. No liability is assumed as a result of their use or application. No intellectual property rights accompany the sale or delivery of any such product(s) or information.

Tape and Reel

Embossed Carrier Dimensions (8mm, 12mm, 16mm, 24mm Tape Only)



Tape Dimensions (mm)				Reel Dimensions (mm)					
W	F	Do	Po	P1	P2	B1	T2	Outside Dia.	Parts / Reel
24	11.5	1.5	4	12	2	6.96	2.3	178	1000

Recommended Reflow Profile

Reflow Profile: in accordance to IPC/JEDEC J-STD-020 (Latest Revision)

Additional Notes:

- This part has been designed for pick and place reflow soldering
- This part may be reflowed Twice
- This part should not be reflowed in the inverted position

Packaging

Packaging: All packaging must conform to ESD Controls detailed in ANSI/ESD S20.20 (Latest Revision)