



FEATURES

- ✓ Analog Temperature Compensation
- ✓ SMD Construction
- ✓ Standard 9x14mm Package
- ✓ Tape and Reel Compatibility

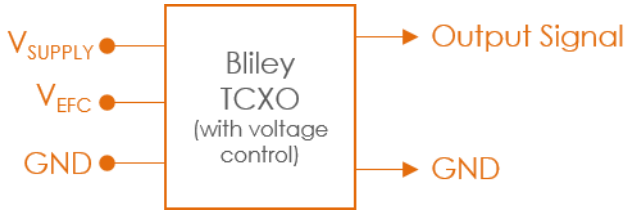
Temperature Controlled Oscillator

#blileytakesyoufurther

Description

Bliley TCXO's are capable of meeting Frequency vs. Temperature stabilities which rival traditional "Ovenized Oscillator" Technology. This coupled with design topologies meeting the harshest Mil-Standards makes Bliley TCXO's the choice of many system designers for mobile equipment.

Block Diagram



Part Number Configuration

BTCS - M - T

<u>Footprint</u>	<u>Center Frequency</u>	<u>Supply Voltage</u>	<u>EFC</u>	<u>Frequency vs. Temperature</u>	<u>Operating Temperature</u>	<u>Output Type</u>
9: 9x14mm(6pad) A: 9x14mm(4pad)	10MHz to 200MHz	D: 3.3V E: 5.0V	N: N/A F: ± 5ppm G: ± 10ppm H: ± 20ppm	C: ± 1ppm D: ± 5ppm G: ± 10ppm	B: -20 to +70°C C: -40 to +85°C D: -55 to +125°C	C: CMOS/TTL D: HCMOS F: LVPECL

*Not all combinations of options may be possible
**Other options may be available

Performance Specifications

Parameter	Conditions	Values			Unit
		MIN	TYP	MAX	
Frequency Range		10		200	MHz
Initial Frequency Tolerance ¹	Tested at +25°C			±2	ppm
Frequency Stability					
vs. Temperature	See Options (Max) (Max-Min)/2		±1, ±5, ±10		ppm
vs. Load	5% Change			±0.2	ppm
vs. Supply Voltage	5% Change			±0.2	ppm
Aging	1 st Year			±4	ppm
Supply Voltage (Vdd)	Option D	3.13	3.3	3.47	Vdc
	Option E	4.75	5	5.25	Vdc
Current Consumption	10MHz			10	mA
	50MHz			30	mA
	100MHz			65	mA
Electronic Frequency Control					
Voltage Range		0		Vdd	Vdc
Center Voltage			Vdd/2		
Frequency Range	See Options (Min)		±5, ±10, ±20		ppm
Slope			positive		
Input Impedance			100		kΩ
Linearity			10		%

1: Initial tolerance only applicable to parts without EFC/voltage control

Performance Specifications

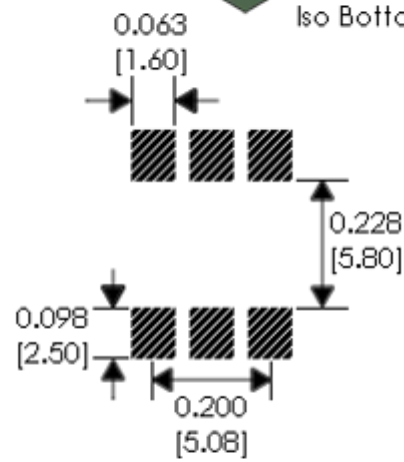
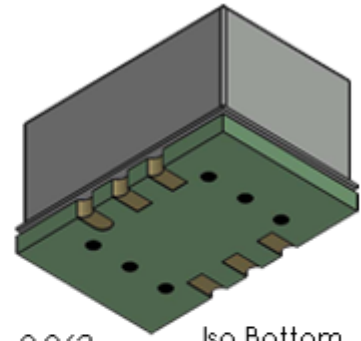
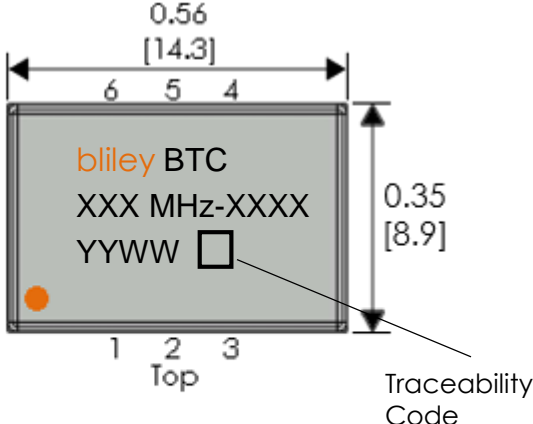
Parameter	Conditions	Values			Unit
		MIN	TYP	MAX	
Output Characteristics (LVPECL)					
Output Level		0	2	6	dB
Differential Output Voltage		595	750	930	mV
Load Impedance		47.5	50	52.5	Ω
Output Characteristics (CMOS/TTL/HCMOS)					
High Output Level	Logic "1"	90% Vdd			Vdc
Low Output Level	Logic "0"	10% Vdd			Vdc
Rise/Fall Time		10			nSec
Duty Cycle		40	50	60	%
Load Impedance		15			pF

Parameter	Conditions	Values			Unit
		TYP	TYP	TYP	
Phase Noise					
Phase Noise (@ 25°C)	Offset	(10MHz)	(50MHz)	(100MHz)	
	10Hz	-85	-75	-70	dBc/Hz
	100Hz	-120	-110	-90	dBc/Hz
	1kHz	-135	-125	-115	dBc/Hz
	10kHz	-145	-135	-125	dBc/Hz
	100kHz	-155	-140	-130	dBc/Hz
	1MHz	-160	-150	-140	dBc/Hz

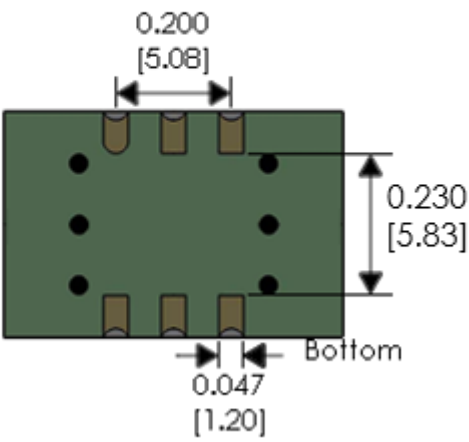
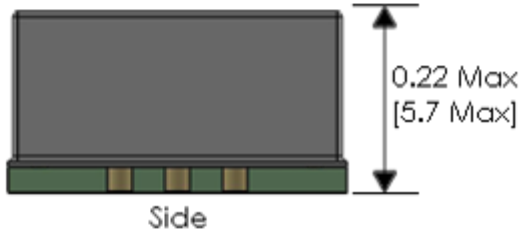
Environmental Compliance

Parameter	Conditions	Values			Unit
Phase Noise		TYP	TYP	TYP	
Operating Temperature	Option B	-20		+70	°C
	Option C	-40		+85	°C
	Option D	-55		+125	°C
Storage Temperature		-55		+125	°C
Solderability	MIL-STD-202 Method 208				
Solvent Resistance	MIL-STD-202 Method 215				
Shock	MIL-STD-202 Method 213 Test Condition I				
Vibration	MIL-STD-202 Method 204 Test Condition C				
Thermal Shock	MIL-STD-202 Method 107 Test Condition B-1				
Seal	MIL-STD-202 Method 112 Test Condition C & D				

Physical Specifications (6 Pad)



Recommended Landing Pattern

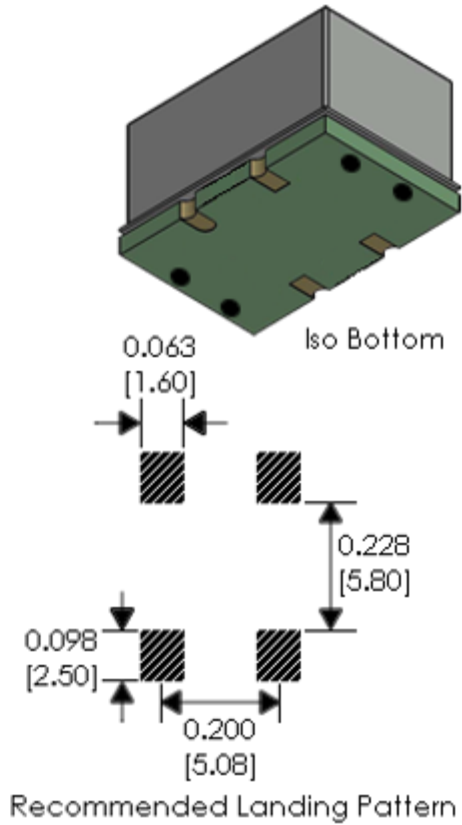
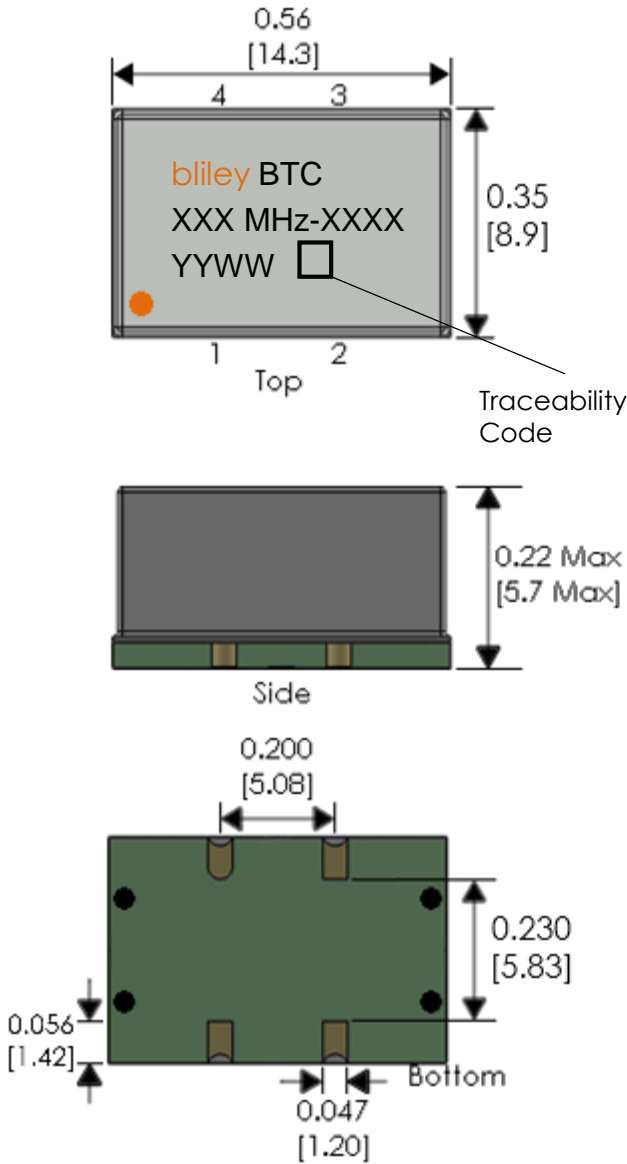


PIN	FUNCTION
1	EFC/N.C.
2	N.C.
3	Ground
4	RF Output
5	Differential Output/N.C.
6	Supply Voltage

Tolerances (mm) .X = ± 0.5, .XX = ±0.2 unless otherwise specified

Notes:
 • PCB thickness = 0.7mm

Physical Specifications (4 Pad)



PIN	FUNCTION
1	EFC/N.C.
2	Ground
3	RF Output
4	Supply Voltage

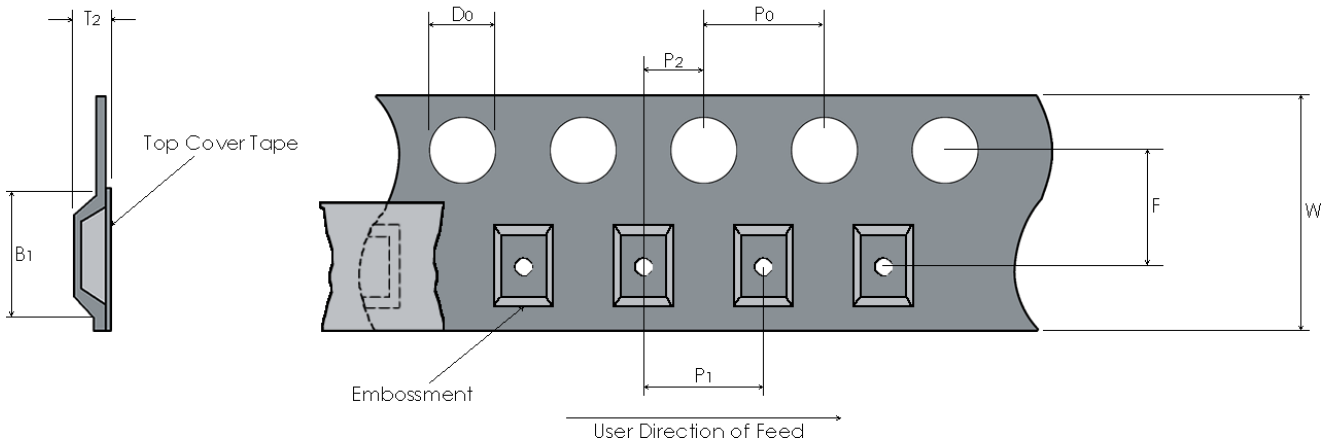
Tolerances (mm) .X = ± 0.5, .XX = ±0.2 unless otherwise specified

Notes:
 • PCB thickness = 0.7mm

DISCLAIMER: Bliley Technologies, Inc. reserves the right to make changes to the product(s) and or information contained herein without notice. No liability is assumed as a result of their use or application. No intellectual property rights accompany the sale or delivery of any such product(s) or information.

Tape and Reel

Embossed Carrier Dimensions (8mm, 12mm, 16mm, 24mm Tape Only)



Tape Dimensions (mm)								Reel Dimensions (mm)	
W	F	Do	Po	P1	P2	B1	T2	Outside Dia.	Parts / Reel
24	11.5	1.5	4.0	12	2.0	15.0	8.8	330	1,000

Recommended Reflow Profile

Reflow Profile: in accordance to IPC/JEDEC J-STD-020 (Latest Revision)

Additional Notes:

- This part has been designed for pick and place reflow soldering
- This part may be reflowed once
- This part should not be reflowed in the inverted position

Packaging

Packaging: All packaging must conform to ESD Controls detailed in ANSI/ESD S20.20 (Latest Revision)